

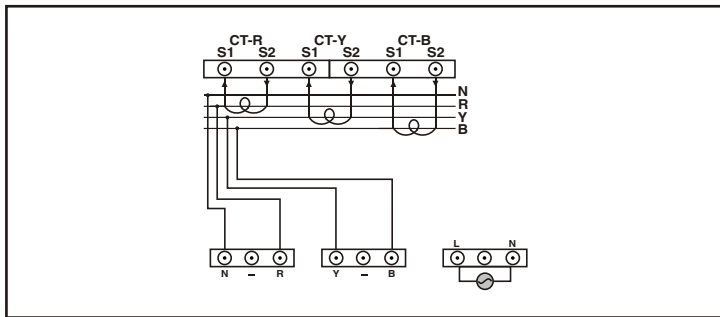


(96 x 96)

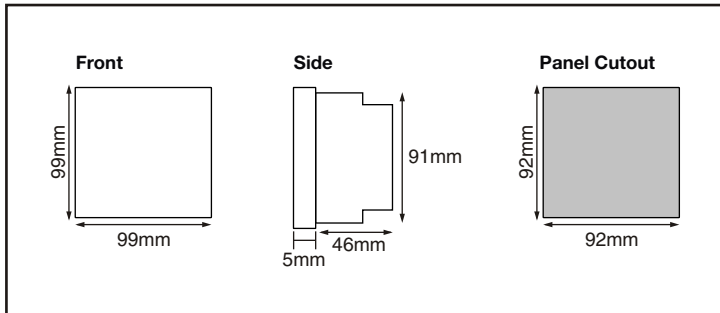
Ordering Information

MFM383

Terminal Connections



Dimensions (in mm)



Functional Specifications

Monitors-

- 3Ø (rms) Voltage
- 3Ø (rms) Current
- 3Ø Power (Active, Apparent)
- 3Ø Power factor
- Frequency
- Energy
- Programmable CT

Technical Specifications

Display	Liquid crystal display (with backlight)
Digits	3 rows of 3 digits, Bar graph, 8 digits for energy
Input Type	3 Ø-4 wire & 1 Ø - 2 wire
Rated Input Current	5 A max.
Display Scrolling	Auto / manual
Range	99999999 for energy
Resolution*	0.01, 0.1, 1, Auto shift from 0.1 to 1 for energy (depending on CT Primary)
Frequency	1) 50 Hz 2) 60 Hz
CT Primary	5 to 1000 programmable
Burden (max)	0.2 VA max per phase 0.5 VA max per phase (shunt type)

ACCURACY TABLE

Measurement	Accuracy (in %)
LN voltage	0.5
LL voltage	1
Average voltage	0.5
Phase current	2
Average current	2
Frequency	1
Active Power	1
Apparent Power	1
Power Factor & Avg. Pf	1
Energy	1

Display Reset	Programmable (for energy)
Memory	10 years (for energy)
LED/Parameter Indication	1) LCD for all measured parameters 2) % of current in bar graph form
Display Reset	Programmable (for energy)
Memory	10 years (for energy)
LED/Parameter Indication	1) LCD for all measured parameters 2) % of current in bar graph form
Supply Voltage	90 to 270 VAC, (AC: 50 or 60 Hz)
Temperature	Operating: 0 to 50°C Storage: -20 to 75°C
Humidity (non-condensing)	85%
Weight	250 gms

* Resolution as per CT primary programmed.