

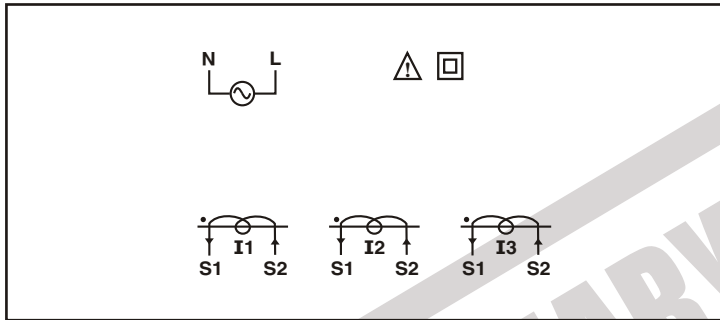


72x72mm

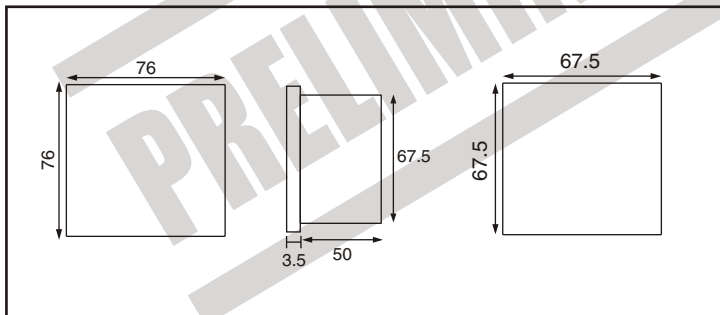
### Ordering Information

MA2301

### Terminal Connections



### Dimensions (in mm)



### FEATURES

- 4 Digit, Liquid Crystal Display
- Analog style bargraph indication
- True RMS measurement
- CT programable up to 5000A
- 3 phase 4 wire electrical connection
- IP protection (Front Plate): IP65

### Technical Specifications

#### PARAMETER

Electrical Connection	3 phase 4 wire
CT Primary Setting	5, 10, 20, 30, 40,50, 60, 75, 80,100,150, 175, 200, 250, 300, 400, 500,600, 630, 800, 1000, 1200, 1500,1600, 2000, 2250,2500, 3000, 3200, 4000, 5000. <b>(Default setting : 5A AC)</b>

CT Secondary 5A

Input Range 0 - 5A AC

Measurement Range 0 - 6.2A AC

Accuracy  $\pm 0.5\%$  of CT primary setting.

#### DISPLAY

Display 4 digit

Overrange Indication "Or" for input > 6.2A AC

Display range 0 - 6200A

Bargraph Analog style Bargraph indication

#### GENERAL SPECIFICATION

Auxiliary supply voltage (Vn) 240V AC  $\pm 20\%$

Supply Frequency 50/60 Hz

Operating temperature -20 to 60 C

Storage temperature -30 to 80 C

Humidity (non-condensing) 90% RH

Protection Level IP65 for faceplate