

# PINTEK

# FG-30 / FG-32

# FUNCTION GENERATOR



- 6 FUNCTION, 6 RANGE.
- 0.5Hz~3MHz.
- LINEAR/LOG SWEEP
- 20Vp-p OUTPUT

## FG-30



- 6 FUNCTION, 6 RANGE.
- LINEAR/LOG SWEEP.
- AUTORANGE COUNTER.
- 0.001Hz RESOLUTION.
- AUTO GATETIME.
- COUNTER TRIGGER DETECT.

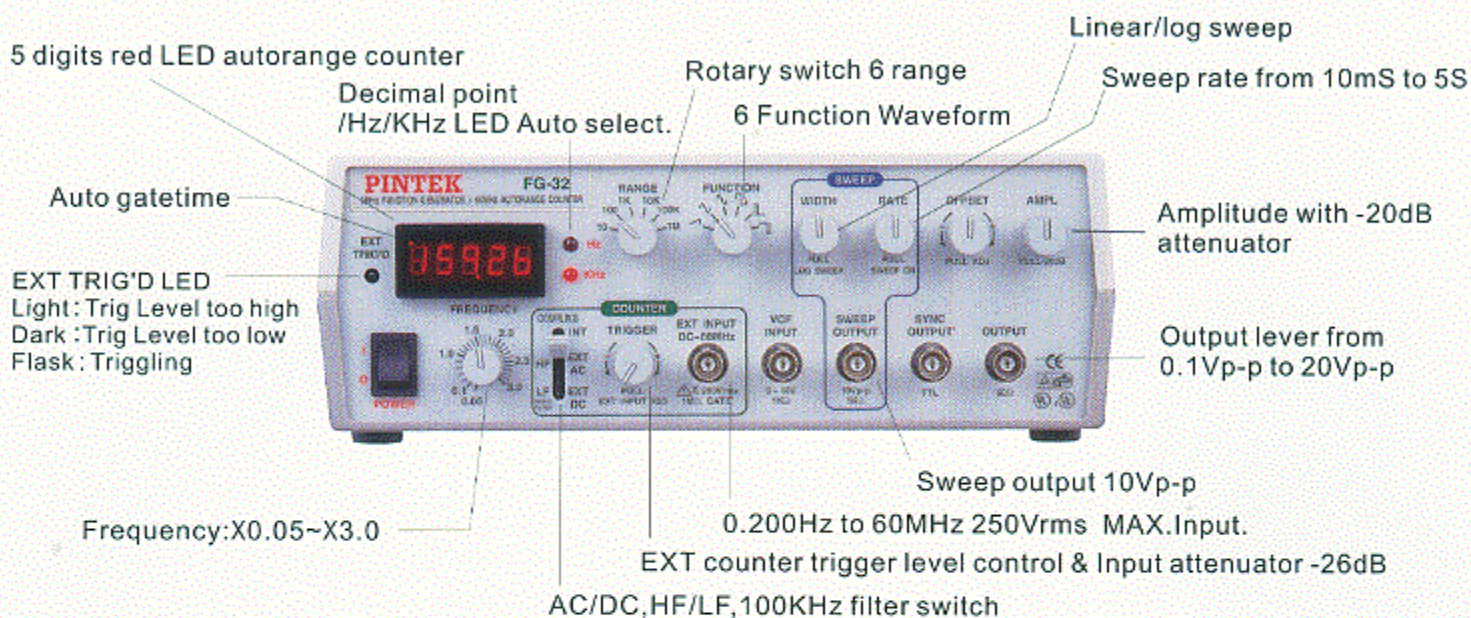
## FG-32



IEC 1010  
EN 61010

# PINTEK

## FG-30 / FG-32 FUNCTION GENERATOR



ITEM	FG-32	FG-30
<b>MAIN OUTPUT</b>		
Frequency Range	0.5Hz to 3MHz in 6 Range	
Waveforms	6 Waveforms(Sins, Square, Triangle, Ramp, +Pulse, -Pulse)	
Amplitude	20Vp-p / Open, 10Vp-p / 50Ω Load	
Attenuator	0dB, -20dB ( ± 2%)	
Output Impedance	50Ω ( ± 2%)	
DC Offset	± 10V With Pull ADJ Switch	
Freq Accuracy	Counter Accuracy	Sine wave on full scale < 3%
Distortion	<1%, 1Hz to 100KHz	
Rise /Fall Time	<60ns	
V.C.F Input	0 to ± 10V control frequency to 1000 : 1	
<b>SYNC OUTPUT</b>		
Rise time	<40nS	
Level	>3Vp-p (open)	
Waveform	Square, pluse	
<b>SWEEP</b>		
MODE	Linear/Log Sweep	
Width	>100 : 1 continuously variable	
Rate	From 10mS to 5S continuously variable	
Sweep Output	10Vp-p(open)	
Output Impedance	1KΩ ± 2%	
<b>COUNTER</b>		
Display	5 digital 0.36 Red LED display with Autorange	---
Gate time	Auto Select (0.25S-10S)	---
Resolution	0.001Hz	---
MODE	INT Function Generator/EXT counter	---
Attenuator	0dB, -26dB ( 20)	---
Accuracy	± Time Base Accuracy ± 1count	---
Time Base	20MHz ± 10PPM(23± 5°C)	---
Frequency Range	0.2Hz-60MHz	---
Sensitivity	25mVrms at 1MHz	---
Max Input	250Vrms	---
Input Impedance	1MΩ ± 2%	---
Power Source	AC 115V/230V± 10%, 50/60Hz, 25watt	
Dimension	275(W) 90(H) 300(D)mm	
NET Weight	2.5kg	2.2kg