



# DIN310 / 310E

## Features

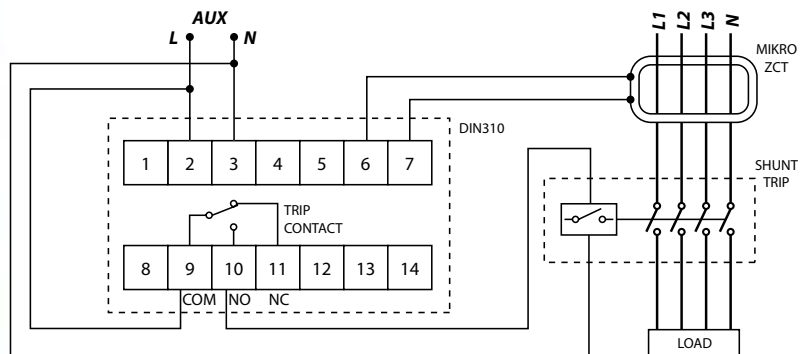
- Numerical earth leakage relay
- Programmable current sensitivity and time delay
- Detection of no connection to ZCT
- Relay trip indicator
- Relay alarm indicator
- Real-time leakage current display
- Leakage fault current recording
- 50% pre-fault indicator
- Standard DIN rail mounting
- Protection against nuisance tripping
- Type A

## Features For DIN310E only

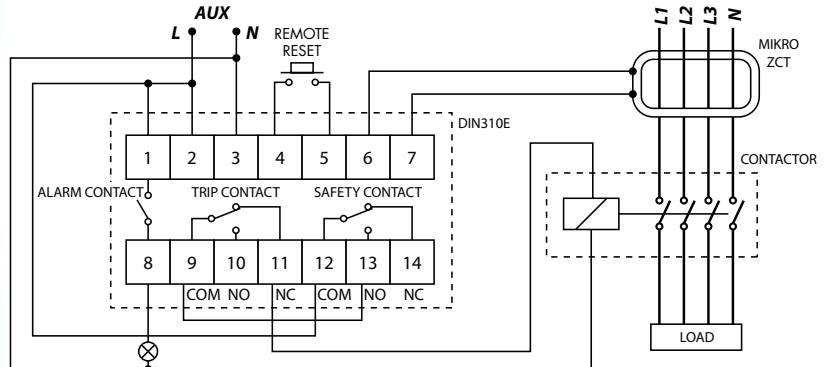
- Positive safety output contact
- 50% pre-fault output contact
- Remote reset function

## TYPICAL APPLICATION DIAGRAMS

**DIN310**



**DIN310E**



## Technical Data

### AUXILIARY SUPPLY

DIN310-240 A(6)	: 204 ~ 265 V AC
DIN310E-240 A(6)	: 204 ~ 265 V AC
Rated frequency	: 50 or 60 Hz
VA rating	: 3 VA typical

### SETTING RANGES

Sensitivity adjustment	: 30 mA, 50 mA, 0.10 A – 1.00 A (Step = 50 mA), 1.00 A – 10.0 A (Step = 1.00 A)
Time delay adjustment	: Instantaneous, 0.1s – 3.0s. Step = 0.10 sec.

### CONTACTS

Contact arrangement	: Change-over
Contact rating	: 5 A, 250 V AC ( $\cos\phi = 1$ )
Contact material	: Silver alloy
Expected electrical life	: 100,000 operations at rated current
Expected mechanical life	: $5 \times 10^6$ operations

### RECORD

Fault record	: 3 latest tripped fault currents
Storage	: Non-volatile memory

### INPUT

Remote reset*	: N.O. dry contact
---------------	--------------------

### OUTPUTS

Trip Contact	: Activated if relay tripped or ZCT fault
Positive safety contact*	: Activated when ZCT is connected properly to the relay
Pre-fault alarm contact*	: Activated when leakage current exceeded 50% of sensitivity setting

### INDICATORS

50% pre-fault alarm	: Red indicator
Time delay	: Red indicator
Leakage trip	: 7-segment display and red indicator
ZCT fault	: 7-segment display and red indicator
Real time leakage current	: 7-segment display

### ZERO-PHASE CURRENT TRANSFORMER

To operate with Mikro's ZCT series of current transformer

### MECHANICAL

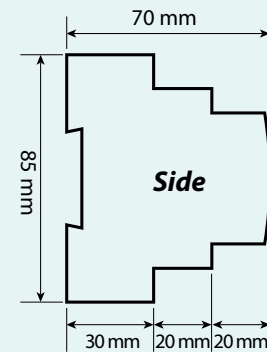
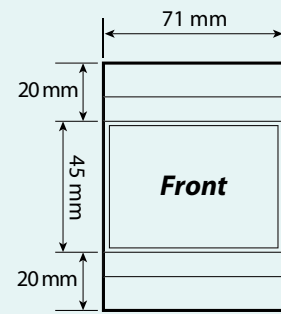
Mounting method	: Standard 35 mm DIN rail mounting
Approximate weight	: 0.38 kg (Excluding ZCT)

### ENVIRONMENTAL CONDITIONS

Temperature	: -5°C to +55°C
Humidity	: 56 days at 93% RH and 40°C non-condensing

\* Applicable to DIN310E series only

## CASE DIMENSIONS



## Ordering Information

MODEL	DESCRIPTION
DIN310 - 240 A	For 50 Hz system, auxiliary voltage 240 V AC
DIN310E - 240 A	For 50 Hz system, auxiliary voltage 240 V AC
DIN310 - 240 A6	For 60 Hz system, auxiliary voltage 240 V AC
DIN310E - 240 A6	For 60 Hz system, auxiliary voltage 240 V AC

