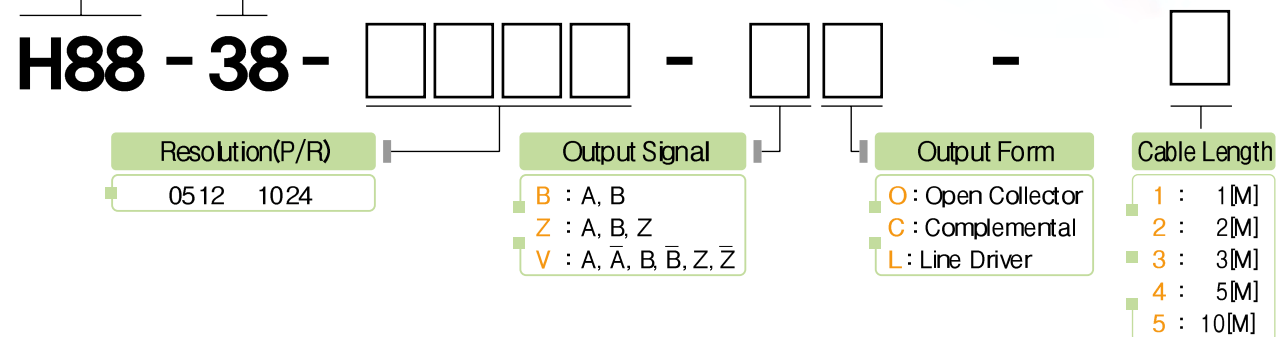


H88-38 Series

■Features : Elevator, Parking system, Industrial motor
Easy to be attached, Customized design,
Prompt delivery

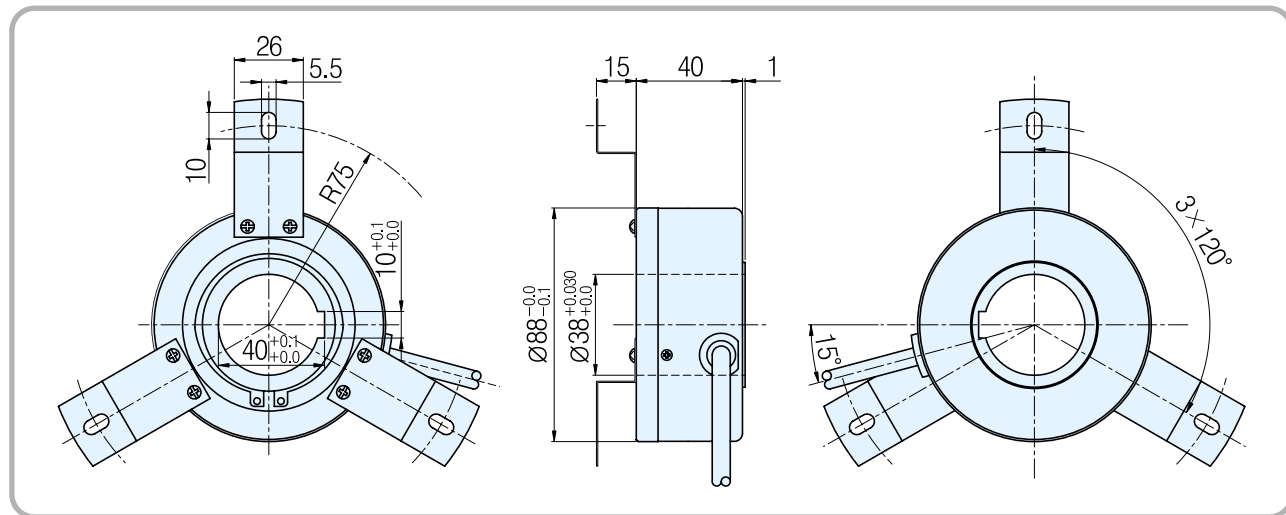
Model

INCREMENTAL
HOLLOW TYPE
Outer Diameter Ø88 Shaft Size
38 : Ø38

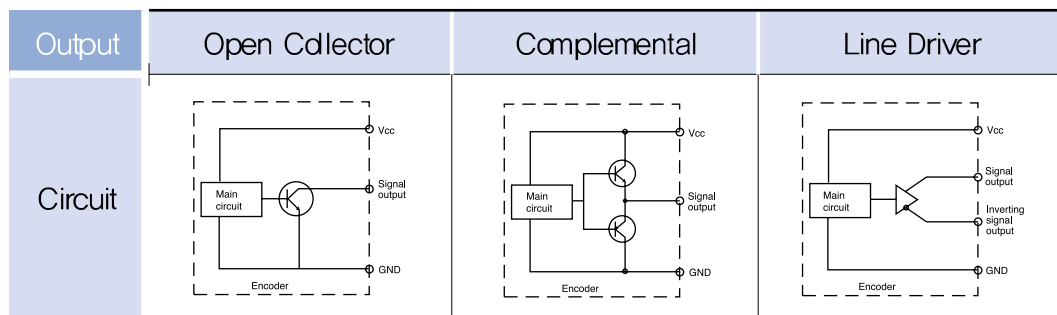


⚠ In case of power may be different depending on the type of output and be sure to check the electric spec.

External Dimension



Output Circuit



Electrical Spec.

Output type	Open Collector	Complemental	Line Driver
Power Supply	DC +15[V] Ripple p-p : less than 5%	DC +15[V] Ripple p-p : less than 5%	DC +5[V] Ripple p-p : less than 5%
Consuming Current (In case of no load)	70mA Max	150mA Max	150mA Max
Maximum Response Frequency	100 KHz MAX		
Output voltage	Less than V _i 0.5[V] / More than V _i 2.5[V] (In case of inputting +5V) , /More than V _i 10[V](In case of inputting +15V)		
Output current	Less than 20mA	Less than 10mA	Less than 20mA
Rising, decline time T _R / T _F	Less than 3μs	Less than 1μs	Less than 0.1μs
	In case that the cable length of output side is 1[M] and load resistance is less than 1[kΩ]		

Mechanical Spec.

Starting Torque	800g - cm Max
Maximum number of revolution	3000 rpm
Bearing lifetime	50,000[hr](In case of rotating by 3000rpm)
Allowable Shaft Load	Radial : 5.8kg Max Axial : 1.9kg Max
Position deflection of allowable shaft	Radial : Less than 0.05 mm Axial : Less than 0.2mm
Connection Table	3P(AWG26) Shield CABLE
weight	930g

Rigid Spec.

Operating Temp. Range	-10°C ~ +70°C (No freezing)
Preserving temp	-20°C ~ +85°C
Using humidity	35% ~ 80% RH
Preserving Humidity	30% ~ 85% RH
Internal Vibration	5G
Internal Shock	100G
Degree of Protection	IP 50

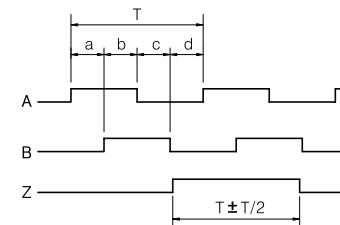
Output Phase Shift

CW → Clockwise viewed from shaft end

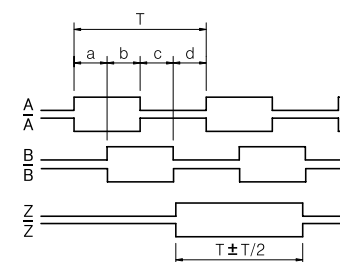
$a + b, c + d = T/2 \pm T/10$
 $a, b, c, d = T/4 \pm T/10$



Open Collector



Line Driver



Connection Table

Cable's Color	Connection Table	
Output Form	Open Collector	Line Driver
Red	Vcc	Vcc
Black	GND	GND
Green	A Sig	A Sig
Orange	A Sig GND	\bar{Z} Sig
Yellow	B Sig	Z Sig
White	B Sig GND	B Sig
Blue	-	\bar{A} Sig
Pink	-	\bar{B} Sig
Shield	CASE Shield	CASE Shield