

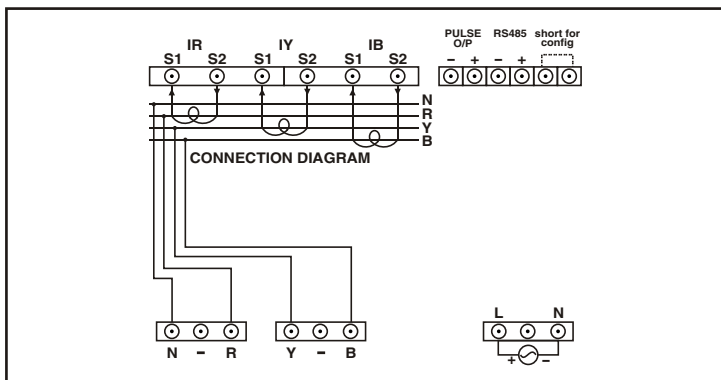


(96 x 96)

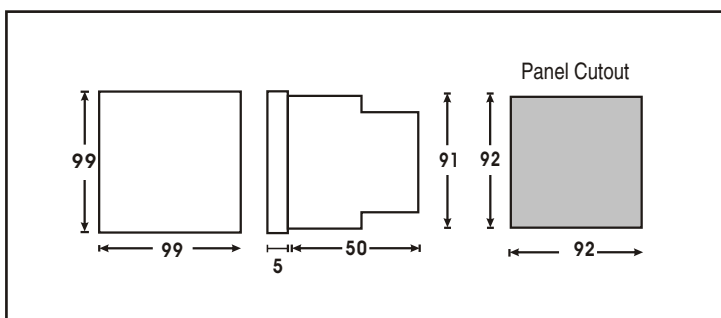
### Ordering Information

| Model   | Supply Voltage   |
|---------|------------------|
| EM306-C | 90 to 270V AC/DC |

### Terminal Connections



### Dimensions (in mm)



### Technical Specifications

|  |   |
|--|---|
| <b>Display</b>                                 | 6 digit 7 segment LED display. Height 0.5"  |
| <b>Led Indications</b>                         | <b>INT</b> - Integration of energy<br><b>X10</b> - Resolution is 10<br><b>REV</b> - Reverse connected CT warning              |
| <b>Input Type</b>                              | 3 Ø - 4 wire and 1 Ø - 2 wire   |
| <b>Frequency Range</b>                         | 50 Hz   |
| <b>Rated Input Current</b>                     | 6A max.   |
| <b>Ct Primary</b><br>(selectable via rear key) | 5, 30, 40, 50, 60, 75, 80, 100, 150, 200, 250, 300, 400, 500, 600, 800, 1000, 1200, 1500, 1600, 2000, 2500, 3000, 4000, 5000. |
| <b>Burden</b>                                  | 0.5 VA@5A per phase   |
| <b>Measurement</b>                             | kWh   |
| <b>Accuracy</b>                                | Class 1   |
| <b>Auxiliary Supply Range</b>                  | 90 to 270V AC / DC, 50/60 Hz  |
| <b>Output</b>                                  | <b>Pulse Output:</b> Voltage range - 24 VDC Current capacity - 100 mA max<br><b>Pulse Width:</b> 500 ms ± 50 ms.              |
| <b>Temperature</b>                             | <b>Operating:</b> 0 to 50 °C<br><b>Storage</b> -20 to 75 °C   |
| <b>Humidity</b>                                | 85% non-condensing  |
| <b>Mounting</b>                                | Panel mounting  |
| <b>Weight</b>                                  | 225 gms   |