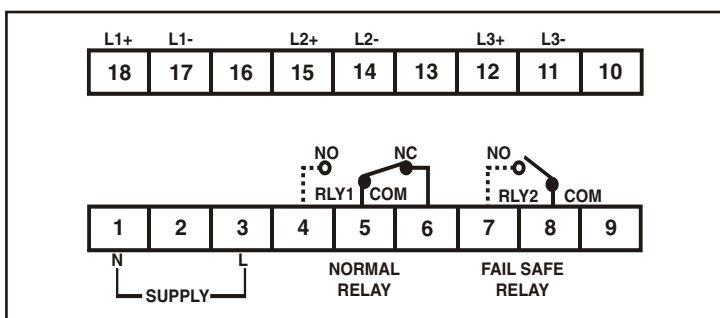




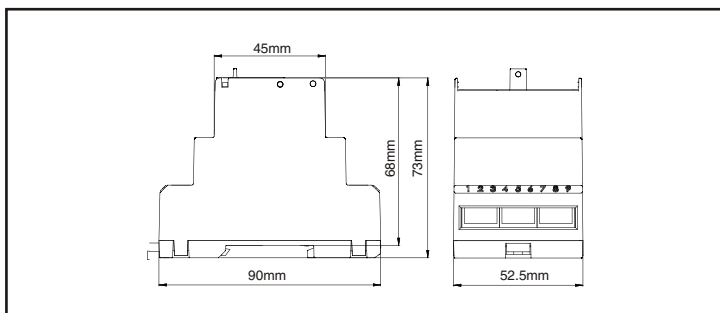
### Ordering Information

CPR605

### Terminal Connections



### Dimensions (in mm)



### Technical Specifications

<b>Function</b>	Monitoring current of 3Ø-4 wire system
<b>Output Contact</b>	<b>1. Normal Relay:</b> 1 SPDT: NO (5 A @ 250 VAC) NC (3 A @ 250 VAC) <b>2. Fail Safe Relay:</b> 1 SPST: NO (5 A @ 250 VAC)
<b>Power Consumption</b>	11 VA
<b>Nominal Values</b>	5 A
<b>Over Current</b>	30,40,50,60,70,80,90,100,110, 120 % of phase current
<b>LED Indication</b>	Power ON, Tripped condition
<b>Hysteresis</b>	5, 10, 15, 20, 25, 30% of trip current
<b>Power On Delay</b>	Approx. 100 ms
<b>Trip Time Delay</b>	0.2 to 10 seconds (adjustable)
<b>Accuracy</b>	± 0.5% at constant condition
<b>Reset</b>	Auto reset on removal of fault condition
<b>Rated Current</b>	5 A
<b>Phase Current</b>	5 A, AC (50-60 Hz)
<b>Supply Voltage</b>	240 VAC (± 25%), (AC : 50 or 60 Hz)
<b>Temperature</b>	Storage / Operating: 0 to 50°C
<b>Humidity (non-condensing)</b>	95% RH
<b>Weight</b>	142 gms