



Features:

- Lowest cost, Single Range Single Function
- LED Status Indicator : Power ON, Relay ON
- Din Rail / Pack Mount
- Finger safe Terminals

Size: DIN 22.5mm

Technical Specifications

Input Specifications

| | |
|----------|--|
| Accuracy | Setting : $\pm 5\%$ of full scale. Repeat : $\pm 0.5\%$ or 50msec |
| Reset | On interruption of power; Reset time < 100 msec |

Output Specifications

| | |
|----------------|----------------------------------|
| Output Contact | 1 C/O (SPDT) |
| Contact Rating | 5A @ 230V AC / 24V DC, resistive |

Functional Specifications

| | |
|----------------|--|
| Modes | ON : ON delay |
| Time Ranges | 30S: 30 sec, 60S: 60 sec (factory set) |
| LED Indication | Power ON, Relay ON |

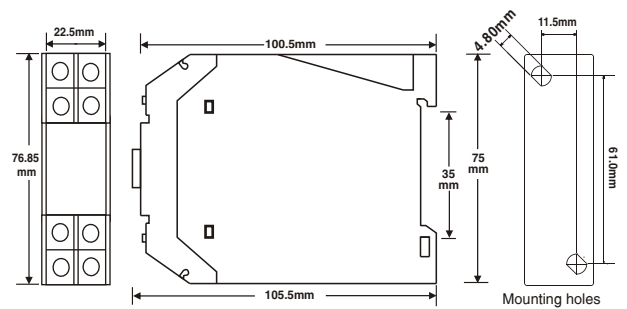
Supply Voltage

| | |
|----------------|--------------|
| Supply Voltage | 230: 230V AC |
|----------------|--------------|

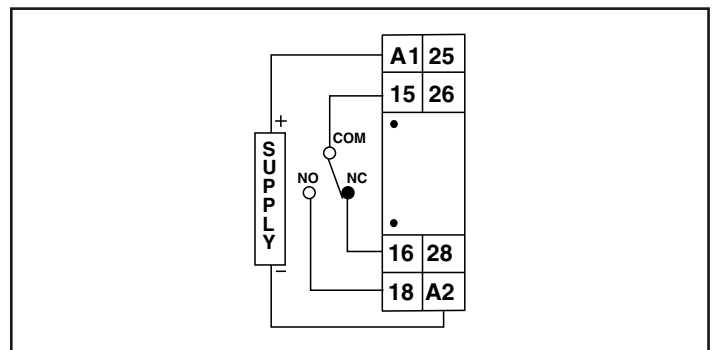
Environmental Specifications

| | |
|---------------------------|--|
| Temperature | Operating: 0 to 50°C Storage: -5 to 50°C |
| Humidity (non-condensing) | 95% RH |
| Weight | 100 gms |
| Protection Level | IP50 for faceplate IP40 for housing IP20 for terminals |

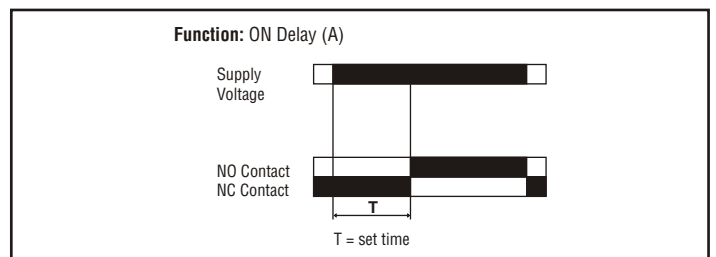
Dimensions



Terminal Connections



Timing Diagram



Ordering Information

| Part No. | Supply Voltage |
|-------------------|----------------|
| 800S-1-ON-30S-230 | 230V AC |
| 800S-1-ON-60S-230 | 230V AC |