



Features:

- On Delay / Interval
- 12 Time Range
- LED Status Indicator : Power ON, Relay ON
- Din Rail / Back Panel Mount
- Finger Safe terminals

Size: DIN 22.5mm

Technical Specifications

Input Specifications

Accuracy	Setting: $\pm 5\%$ of F.S. Repeat: $\pm 0.5\%$ or 50 msec whichever is greater (F.S. = Full Scale)
Reset	On interruption of power; Reset time < 100 msec

Output Specifications

Output Contact	2 C/O (DPDT)
Contact Rating	5A @ 230V AC / 24V DC, resistive

Functional Specifications

Modes	ON delay / Interval
Time Ranges	1 / 3 / 10 / 30 sec. / min / hr
LED Indication	Power ON, Relay ON

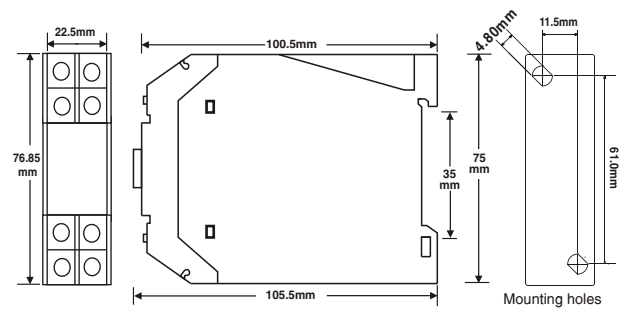
Supply Voltage

Supply Voltage	230: 230 VAC 12: 12 VDC (factory set)
----------------	--

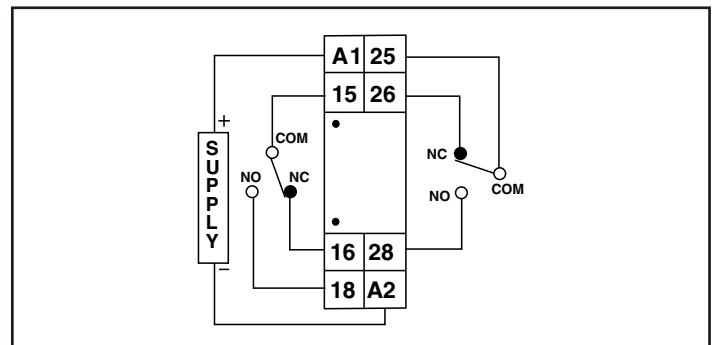
Environmental Specifications

Temperature	Operating: 0 to 50°C Storage: -5 to 50°C
Humidity (non-condensing)	95% RH
Weight	100 gms
Protection Level	IP50 for faceplate IP40 for housing IP20 for terminals

Dimensions



Terminal Connections



Ordering Information

Part No.	Supply Voltage
800M (V1.1)	230V AC

Timing Diagram

