



# PFR140/120/80/60

## Features

- Microprocessor based intelligent auto switching control
- Automatic C/K and rated step adjustment
- Automatic CT polarity correction
- Display of power factor, current & total harmonic distortion of current
- Programmable sensitivity
- Last step can be used as alarm/fan output switching control
- Under/over voltage alarm, under/over compensate alarm & high harmonic distortion alarm
- User-friendly setting
- Complies with IEC 61000-6-2 standard

## Technical Data

### RATINGS AUXILIARY POWER SUPPLY

Current Supply voltage	: 240 V AC / 415 V AC
Operating Limits	: -15% + 10%
Consumption	: 10 VA max
Rated frequency	: 50 Hz or 60 Hz

### CURRENT INPUT

Rated current ( $I_n$ )	: 5 A
Operating Limits	: 0.15 A to 6.5 A
Rated Frequency	: 50 Hz or 60 Hz

### RELAY OUTPUT

Numbers of outputs	: 6 / 8 / 12 / 14 ( PFR60 / PFR80 / PFR120 / PFR140 )
Contact arrangement	: NO contacts type
Contact rating	: 5 A, 250 V AC ( $\cos\phi = 1$ )
Contact material	: Silver alloy
Expected electrical life	: 100,000 operations at rated current
Expected mechanical life	: $5 \times 10^6$ operations
Max current for the common terminals	: 12 A continuous

### CONTROL RANGE

Power factor setting	: 0.8 inductive - 0.8 capacitive
C/K setting	: 0.03 - 1.20 / Automatic
Switching sensitivity	: 5 - 600 s/step
Reconnection time for same step	: 5 - 240 s
THD threshold	: 0.20 - 3.00 ( 20% - 300% ) / OFF
Switching Program	: Automatic / Automatic Rotate / 4-quadrant / Manual
Rated step coefficient	: 0 / 1 / 2 / 3 / 4 / 5 / 6 / 8 / 12 / 16 ( Automatic if C/K set to Auto )

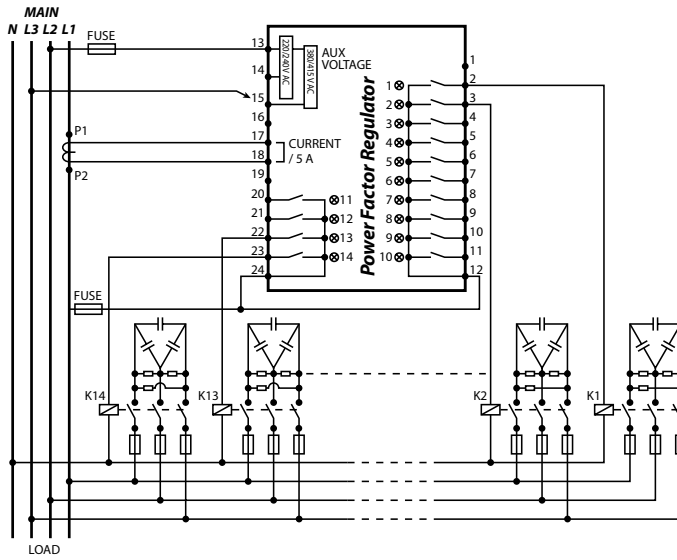
### MECHANICAL

Mounting	: Panel mounting
Dimension ( h x w x d )	: 144mm x 144mm x 90mm
Approximate weight	: 1 kg

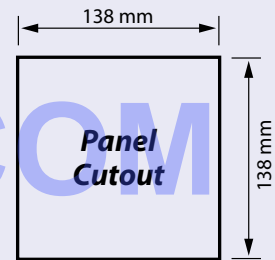
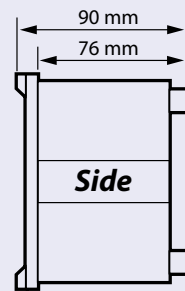
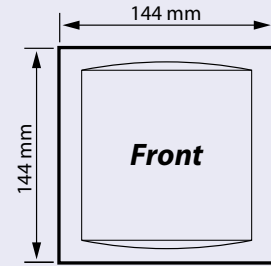
### ENVIRONMENTAL CONDITIONS

Temperature	: -5°C to +55°C
Humidity	: 56 days at 93% RH and 40°C non-condensing

**TYPICAL APPLICATION DIAGRAM**



**CASE DIMENSIONS**



**Ordering Information**

MODEL	DESCRIPTION
PFR60 - 415 - 50	6 Steps, 50 Hz system, auxiliary voltage 415 V AC
PFR80 - 415 - 50	8 Steps, 50 Hz system, auxiliary voltage 415 V AC
PFR120 - 415 - 50	12 Steps, 50 Hz system, auxiliary voltage 415 V AC
PFR140 - 415 - 50	14 Steps, 50 Hz system, auxiliary voltage 415 V AC
PFR60 - 220 - 60	6 Steps, 60 Hz system, auxiliary voltage 220 V AC
PFR80 - 220 - 60	8 Steps, 60 Hz system, auxiliary voltage 220 V AC
PFR120 - 220 - 60	12 Steps, 60 Hz system, auxiliary voltage 220 V AC
PFR140 - 220 - 60	14 Steps, 60 Hz system, auxiliary voltage 220 V AC