



PFR96

Features

- Microprocessor based intelligent auto switching control
- Automatic C/K and rated step adjustment
- Automatic CT polarity correction
- Display of power factor & current
- Programmable sensitivity
- Last step can be used as alarm/fan output
- Under/over voltage alarm, under/over compensate alarm
- User-friendly setting
- Complies with IEC 61000-6-2 standard

Technical Data

RATINGS AUXILIARY POWER SUPPLY

Current Supply voltage	: 110V AC / 220V AC
Operating Limits	: -15% + 10%
Consumption	: 10 VA max
Rated frequency	: 50 Hz or 60 Hz

CURRENT INPUT

Rated current (I_N)	: 5 A
Operating Limits	: 0.15 A to 6.5 A
Rated frequency	: 50 Hz or 60 Hz

RELAY OUTPUT

Numbers of outputs	: 6
Contact arrangement	: NO contacts type
Contact rating	: 5 A, 250 V AC ($\cos\phi = 1$)
Contact material	: Silver alloy
Expected electrical life	: 100,000 operations at rated current
Expected mechanical life	: 5×10^6 operations
Max current for the common terminals	: 12 A continuous

CONTROL RANGE

Power factor setting	: 0.8 inductive - 0.8 capacitive
C/K setting	: 0.03 - 1.20 / Automatic
Switching sensitivity	: 5 - 600 s/step
Reconnection time for same step	: 5 - 240 s
Switching Program	: Automatic / Automatic Rotate / 4-quadrant / Manual
Rated step coefficient	: 0 / 1 / 2 / 3 / 4 / 5 / 6 / 8 / 12 / 16 (Automatic if C/K set to Auto)

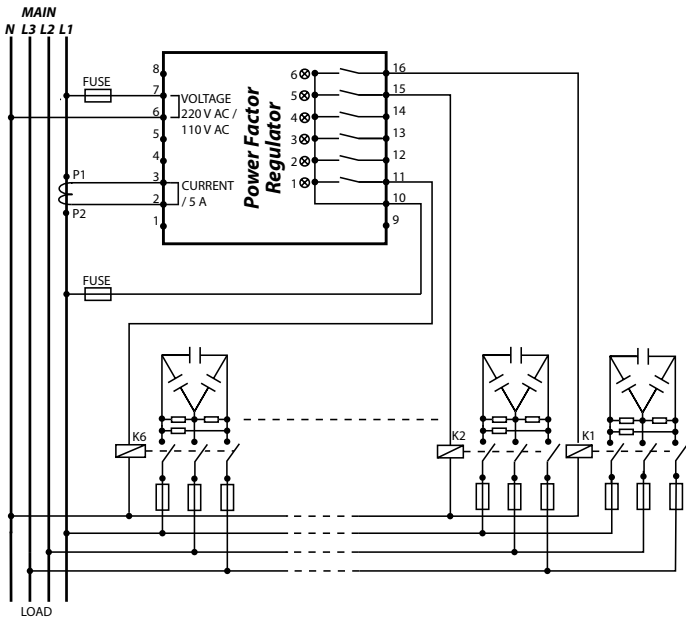
MECHANICAL

Mounting	: Panel mounting
Dimension (h x w x d)	: 96mm x 96mm x 70mm
Approximate weight	: 0.6 kg

ENVIRONMENTAL CONDITIONS

Temperature	: -5°C to +55°C
Humidity	: 56 days at 93% RH and 40°C non-condensing

TYPICAL APPLICATION DIAGRAM



Ordering Information

MODEL	DESCRIPTION
PFR96 - 220 - 50	6 Steps, for 50 Hz system, auxiliary voltage 220 V AC
PFR96 - 220 - 60	6 Steps, for 60 Hz system, auxiliary voltage 220 V AC
PFR96 - 110 - 50	6 Steps, for 50 Hz system, auxiliary voltage 110 V AC
PFR96 - 110 - 60	6 Steps, for 60 Hz system, auxiliary voltage 110 V AC

CASE DIMENSIONS

