

MK301A / 302A



MK301A



MK302A

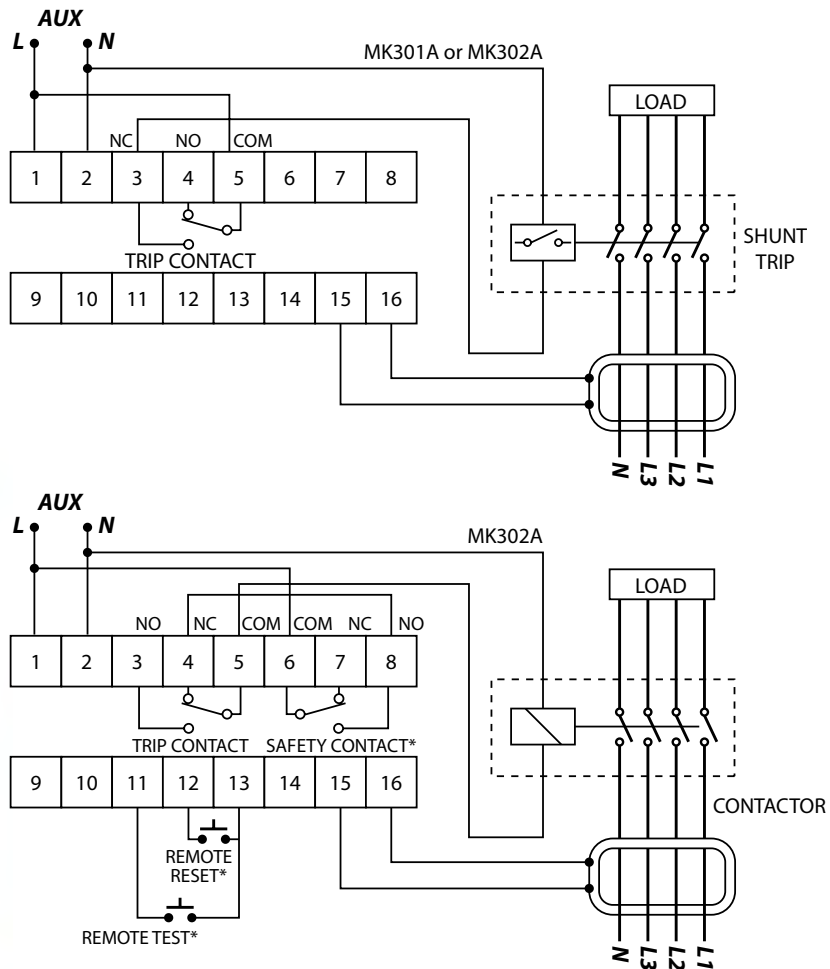
Features

- Trip starting indicator
- Detection of no connection to current transformer for extra safety
- Relay tripped indicator
- High immunity to electrical interference

Features for MK302A only

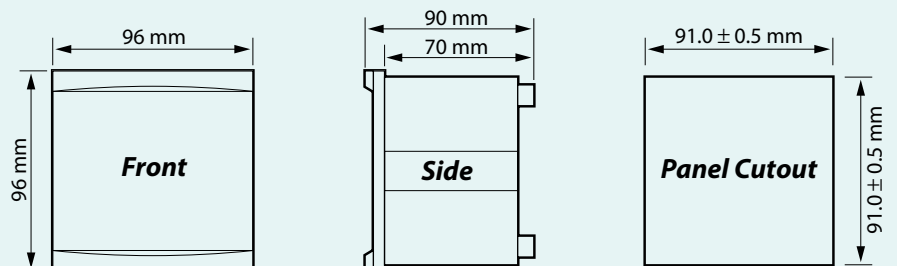
- Safety output contact
- Earth leakage level indicators
- Remote reset and remote test functions

TYPICAL APPLICATION DIAGRAMS



* Applicable to MK302A series only

CASE DIMENSIONS



Technical Data

AUXILIARY SUPPLY

Model MK301A / 302A -240A	: 198 ~ 265 V AC
Model MK301A / 302A -110A	: 94 ~ 127 V AC
Rated frequency	: 50 / 60 Hz
VA rating	: 3 VA typical

SETTING RANGES

Sensitivity adjustment	: 0.03 A to 30 A
Delay time adjustment	: 0 sec to 3.0 sec

PERFORMANCE

Setting accuracy	: -15% to +0%
Timing accuracy	: $\pm 5\%$

CONTACTS

Contact arrangement	: 1 x latching type with manual reset : 1 x safety contact* : NC and NO contacts available
Contact rating	: 5 A, 250 V AC ($\cos\phi = 1$) contact rating
Contact material	: Silver alloy
Expected electrical life	: 100,000 operations at rated current
Expected mechanical life	: 5×10^6 operations

INPUTS

Remote Test* / Reset Inputs*	: N.O. dry contact
------------------------------	--------------------

INDICATORS

Auxiliary supply	: Green indicator
Time delay	: Red indicator
Trip	: Red indicator
Real-time leakage current	: Red indicator

ZERO - PHASE CURRENT TRANSFORMER

To operate with Mikro's ZCT series of current transformer

MECHANICAL

Mounting method	: Panel mounting
Front panel	: Standard DIN 96mm x 96mm
Approximate weight	: 0.6 kg (excluding ZCT)

ENVIRONMENTAL CONDITIONS

Temperature	: -5°C to +55°C
Humidity	: 56 days at 93% RH and 40°C non-condensing

* Applicable to MK302A series only

Ordering Information

MODEL	DESCRIPTION
MK301A - 240A	For 50 / 60 Hz system, auxiliary voltage 198 ~ 265 V
MK301A - 110A	For 50 / 60 Hz system, auxiliary voltage 94 ~ 127 V AC
MK302A - 240A	For 50 / 60 Hz system, auxiliary voltage 198 ~ 265 V
MK302A - 110A	For 50 / 60 Hz system, auxiliary voltage 94 ~ 127 V AC

