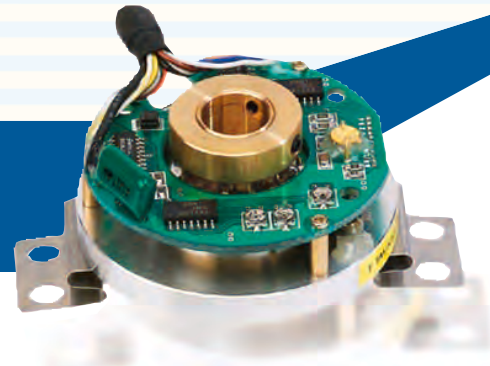
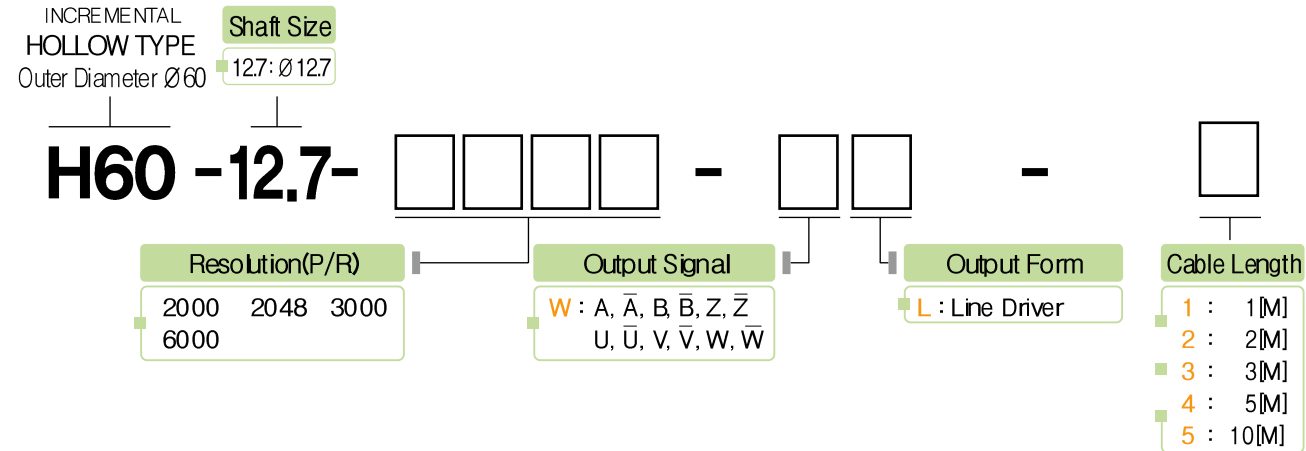


INCREMENTAL  
HOLLOW TYPE  
**H60 Series**

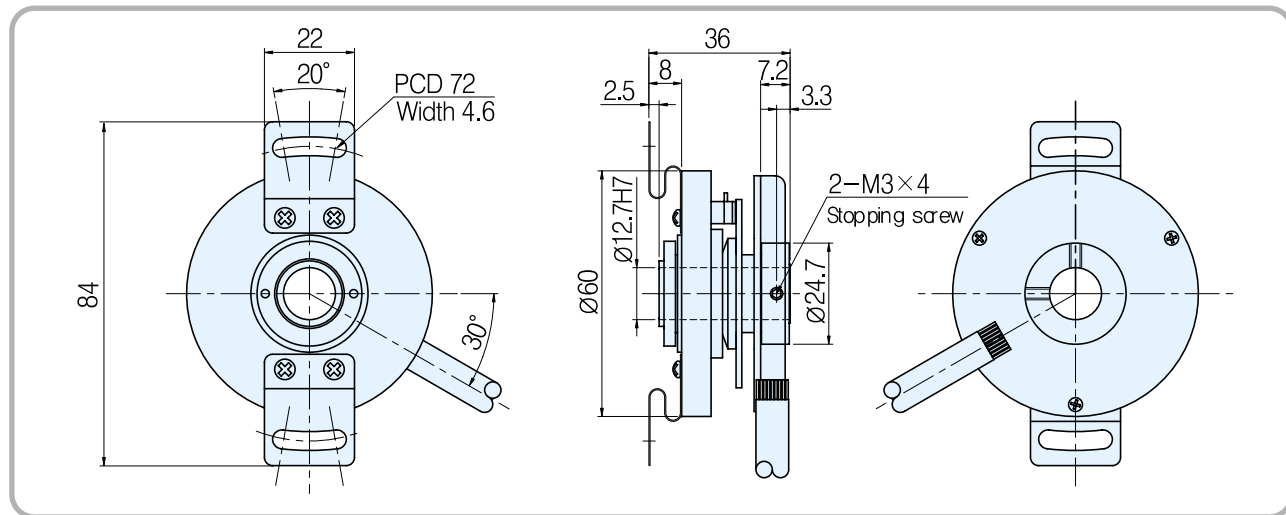
■Features : AC, DC SERVO MOTOR  
Small sized, High-response frequency  
Easy to be attached, Customized design,  
Prompt delivery



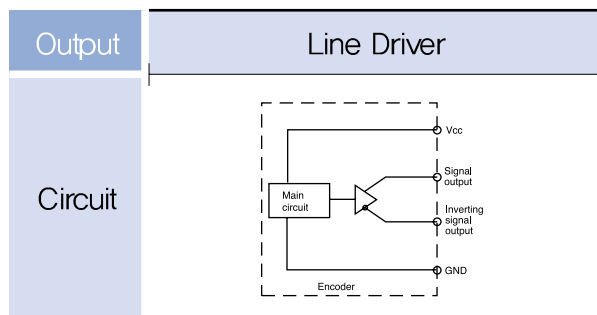
Model



External Dimension



Output Circuit



Electrical Spec.

Output type	Line Driver
Power Supply	DC +5[V] Ripple p-p : less than 5%
Consuming Current ( In case of no load )	300mA Max
Maximum Response Frequency	300 KHz
Output voltage	Less than V <sub>-</sub> 0.5[V] / More than V <sub>+</sub> 2.5[V]
Output current	Less than 20mA
Rising, decline time	Less than 1μs
Common conditions	In case that the cable length of output side is 1[M] and load resistance is less than 1[kΩ]

Mechanical Spec.

Starting Torque	150g - cm Max
Maximum number of revolution	6000 rpm
Bearing lifetime	40,000[hr](In case of rotating by 5000rpm)
Allowable Shaft Load	Radial : 2.0kg Max Axial : 1.0kg Max
Position deflection of allowable shaft	Radial : Less than 0.03 mm Axial : Less than 0.2mm
Connection Table	7P(AWG26) Shield CABLE
weight	200g

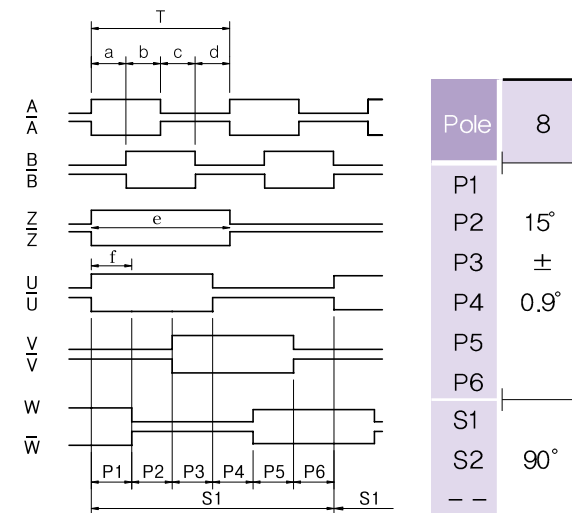
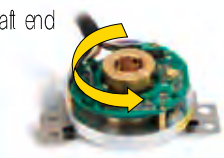
Rigid Spec.

Operating Temp. Range	-10°C ~ +70°C (No freezing)
Preserving temp	-20°C ~ +85°C
Using humidity	35% ~ 70% RH
Preserving Humidity	35% ~ 80% RH
Internal Vibration	5G
Internal Shock	50G
Degree of Protection	IP 00

Output Phase Shift

CCW → Counterclockwise viewed from shaft end

$a + b, c + d = T/2 \pm T/10$   
 $a, b, c, d = T/4 \pm T/10$   
 $e = T \pm T/2$   
 $f =$  The center of Z phase and U phase ( $\pm 1^\circ$ )  
 From Uch (rise point) to Zch center



Connection Table

Cable's Color	Connection Table
Output Form	Line Driver
Red	Vcc
Black	GND
Green	A Sig
White/Green	$\bar{A}$ Sig
Gray	B Sig
White/Gray	$\bar{B}$ Sig
Yellow	Z Sig
White/Yellow	$\bar{Z}$ Sig
Brown	U Sig
White/Brown	$\bar{U}$ Sig
Blue	V Sig
White/Blue	$\bar{V}$ Sig
Orange	W Sig
White/Orange	$\bar{W}$ Sig
Shield	CASE Shield