

H128 Series

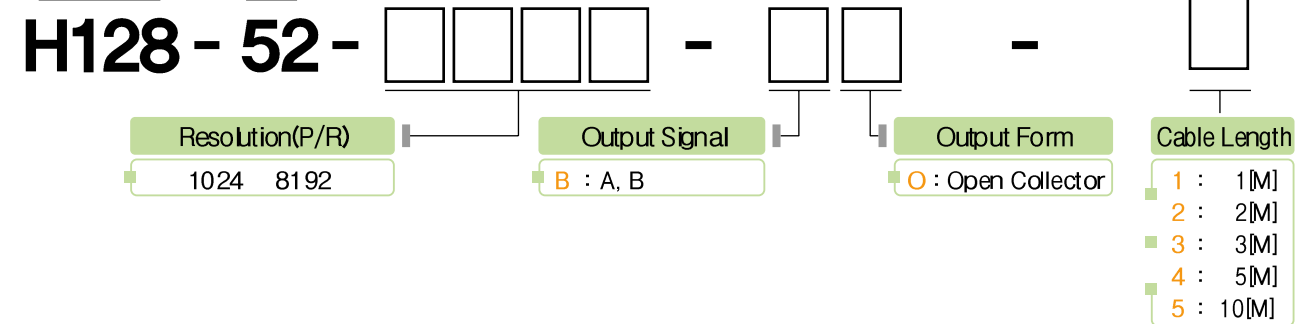
■Features : Elevator, Parking system
High resolution, Customized design,
Easy to be attached

Model

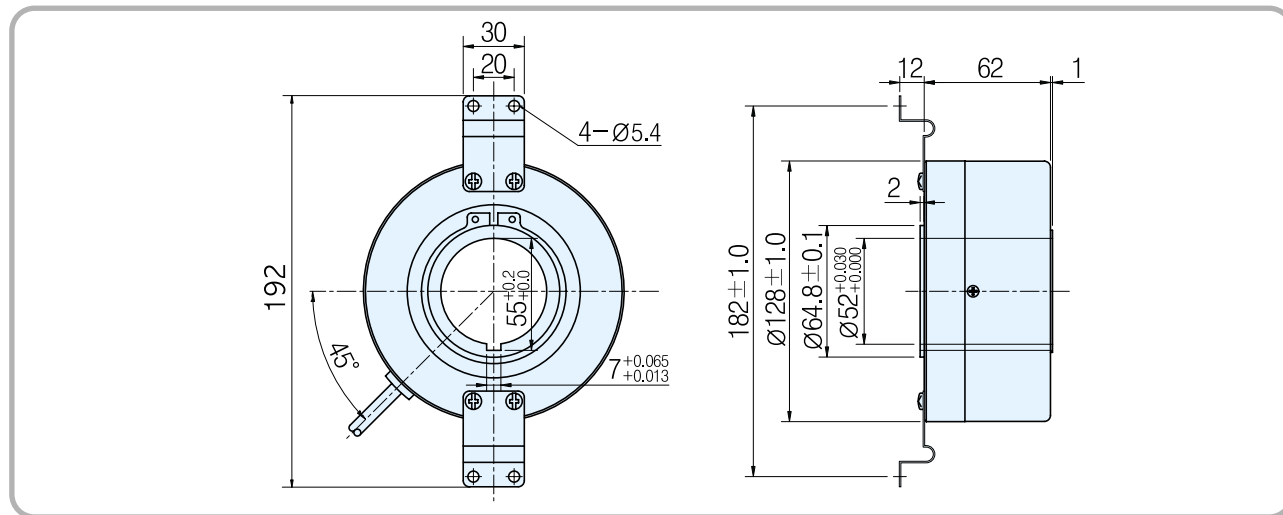
INCREMENTAL
HOLLOW TYPE
Outer Diameter Ø128

Shaft Size

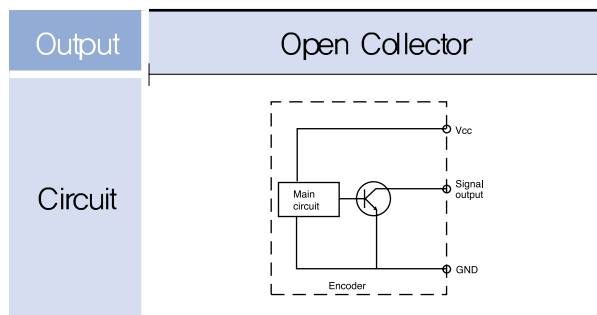
52 : Ø52



External Dimension



Output Circuit



Electrical Spec.

Output type	Open Collector
Power Supply	DC +15[V] Ripple p-p : less than 5%
Consuming Current (In case of no load)	70mA Max
Maximum Response Frequency	100 KHz
Output voltage	Less than V _i 0.5[V] / More than V _i 10[V]
Output current	Less than 20mA
Rising, decline time	Less than 0.1μs
Common conditions	In case that the cable length of output side is 1[M] and load resistance is less than 1[kΩ]

Mechanical Spec.

Starting Torque	800g - cm Max
Maximum number of revolution	800 rpm
Bearing lifetime	50,000[hr](In case of rotating by 3000rpm)
Allowable Shaft Load	Radial : 5.0kg Max Axial : 2.5kg Max
Position deflection of allowable shaft	Radial : Less than 0.05 mm Axial : Less than 0.2mm
Connection Table	3P(AWG26) Shield CABLE
weight	1.5kg

Rigid Spec.

Operating Temp. Range	-10°C ~ +70°C (No freezing)
Preserving temp	-20°C ~ +85°C
Using humidity	35% ~ 80% RH
Preserving Humidity	35% ~ 85% RH
Internal Vibration	5G
Internal Shock	50G
Degree of Protection	IP 50

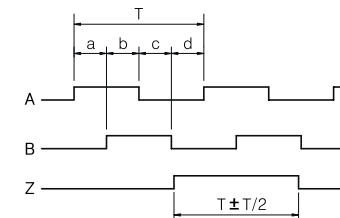
Output Phase Shift

CCW → Counterclockwise viewed from shaft end

$a + b, c + d = T/2 \pm T/10$
 $a, b, c, d = T/4 \pm T/10$



Open Collector



Connection Table

Cable's Color	Connection Table
Output Form	Open Collector
Red	Vcc
Black	GND
Green	A Sig
Orange	A Sig GND
Brown	B Sig
White	B Sig GND
Shield	CASE Shield