

NAVIGATOR SERIES NV 6s | NV 8s | NV 14s

POWER FACTOR CONTROLLER

FEATURES



- Micro-processor based
- Cos Φ and power factor info
- LED indication for individual step
- Auto C/K detection
- Auto or manual operation
- Auto detection of C.T. polarity
- Secondary current info
- Voltage & Frequency info
- THD-I and THD-V info
- Harmonic spectrum info up to 11th order (for voltage and current)
- Programmable over voltage alarm
- *Dedicated alarm output
- *Dedicated exhaust fan output
- Programmable software lock
- Flush mount

(*): Available for models : NV-8s and NV-14s only

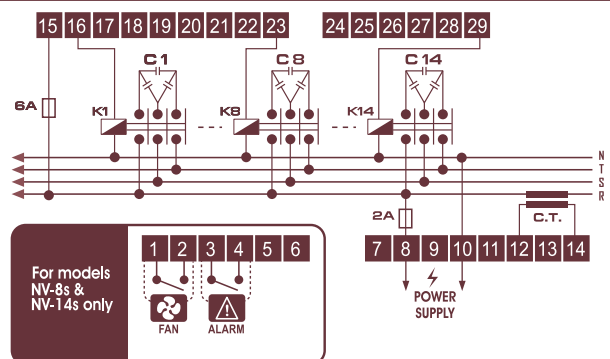
TECHNICAL DATA

Power supply	240 VAC
Rated current	./5A
Operating frequency	47 ~ 63 Hz
Output relay	5A / 250 VAC
No voltage release	< 40 ms
Weight	approx. 750 g
Operating temp.	0° C ~ +55° C
Standard	IEC : 61000-4-2/4-4/4-5/255-5:1

SETTING RANGE

C/K value	0.02 ~ 1.00
Cos Φ	0.85 (ind) ~ 0.95 (cap)
Switching program	P-0 ~ P-6 or auto or custom
Switching interval	2 ~ 60 sec.
Re-connection time	OFF or 1 ~ 250 sec.
Voltage (V)	OFF or 240 ~ 270 V
THD (%) current (I)	OFF or 20 ~ 100 %
THD (%) voltage (V)	OFF or 2.0 ~ 20.0 %

WIRING DIAGRAM



Panel cut-out : 137 x 137 mm

